

SPECIFICATIONS:

MATERIAL
CASE & COVER, PPS, UL94V-0, BLACK
ACTUATOR/ROTOR, PA46, UL94V-0, SEE P/N TABLE FOR COLOR
FIXED CONTACT/TERMINAL: COPPER ALLOY-GOLD OVER NICKEL PLATE
MOVING CONTACT, COPPER ALLOY- GOLD OVER NICKEL PLATE
PLATE, STAINLESS STEEL
SPRING, STAINLESS STEEL
O-RING, RUBBER

ELECTRICAL
MAX CONTACT RATING SWITCHING, .4VA @ 20 V AC OR DC
MIN CONTACT RATING SWITCHING, 1MICROAMP @ 1 MILLIVOLT
INITIAL CONTACT RESISTANCE, 100 MILLIOHMS MAX. @ 2V DC 10MILLIAMPS
CONTACT RESISTANCE AFTER TEST, 300 MILLIOHMS MAX.
INSULATION RESISTANCE, 1,000 MEGOHMS MIN. @ 250 VDC
DIELECTRIC STRENGTH, 250 VAC RMS @ SEA LEVEL
LIFE, 10,000 STEPS MIN. @ 5V DC 10MILLIAMPS

MECHANICAL
OPERATING FORCE, 200 GF-CM MAX.
MECHANICAL LIFE, 20,000 STEPS MIN., NO LOAD

ENVIRONMENTAL
OPERATING TEMPERATURE, -30 TO +85 DEGREES C
STORAGE TEMPERATURE, -45 TO + 100 DEGREES C
VIBRATION, PER EIA-364-28D, CONDITION 1
MECHANICAL SHOCK, PER EIA-364-27B, CONDITION A
RESISTANCE TO SOLDER HEAT PER 109-202 CONDITION B (THRU-HOLE), & 109-201, CONDITION B (SURFACE MOUNT)
SOLDERABILITY PER JIS-C-0050 & JIS-C-0053

NOTES:

- ALL MATERIALS AND FINISHES SHALL COMPLY WITH EU DIRECTIVE 2002/95/EC OF 27JAN2003 (ROHS)
- TO BE SUPPLIED WITH ACTUATOR AT POSITION "7" FOR MRD10C & MRD10CS, POSITION "F" FOR MRD16C & MRD16CS AND POSITION "0" FOR ALL REMAINING MODELS
- TAPE & REEL PKG PER EIA 481 TAPE WIDTH 16mm, PITCH 16mm.
- LOCATE "ALCO" TRADE NAME AND LOT NUMBER ON THIS SURFACE. LOT NUMBER TO BE MARKED AS FOLLOWS:
1ST DIGIT YEAR 2ND DIGIT MONTH

| | | |
|-------------|---------------|-------------|
| GREEN | MRD16RASTR04 | 2-1825013-4 |
| WHITE | MRD16CRASTR04 | 2-1825013-3 |
| RED | MRD10RASTR04 | 2-1825013-2 |
| ORANGE | MRD10CRASTR04 | 2-1825013-1 |
| GREEN | MRD16STR04 | 2-1825013-0 |
| GREEN | MRD16S04 | 1-1825013-9 |
| GREEN | MRD16RAS04 | 1-1825013-8 |
| GREEN | MRD16RA04 | 1-1825013-7 |
| WHITE | MRD16CSTR04 | 1-1825013-6 |
| WHITE | MRD16CS04 | 1-1825013-5 |
| WHITE | MRD16CRAS04 | 1-1825013-4 |
| WHITE | MRD16CRA04 | 1-1825013-3 |
| WHITE | MRD16C04 | 1-1825013-2 |
| GREEN | MRD1604 | 1-1825013-1 |
| RED | MRD10STR04 | 1-1825013-0 |
| RED | MRD10S04 | 1825013-9 |
| RED | MRD10RAS04 | 1825013-8 |
| RED | MRD10RA04 | 1825013-7 |
| ORANGE | MRD10CSTR04 | 1825013-6 |
| ORANGE | MRD10CS04 | 1825013-5 |
| ORANGE | MRD10CRAS04 | 1825013-4 |
| ORANGE | MRD10CRA04 | 1825013-3 |
| ORANGE | MRD10C04 | 1825013-2 |
| RED | MRD1004 | 1825013-1 |
| ROTOR COLOR | OLD T&B P/N | P/N |

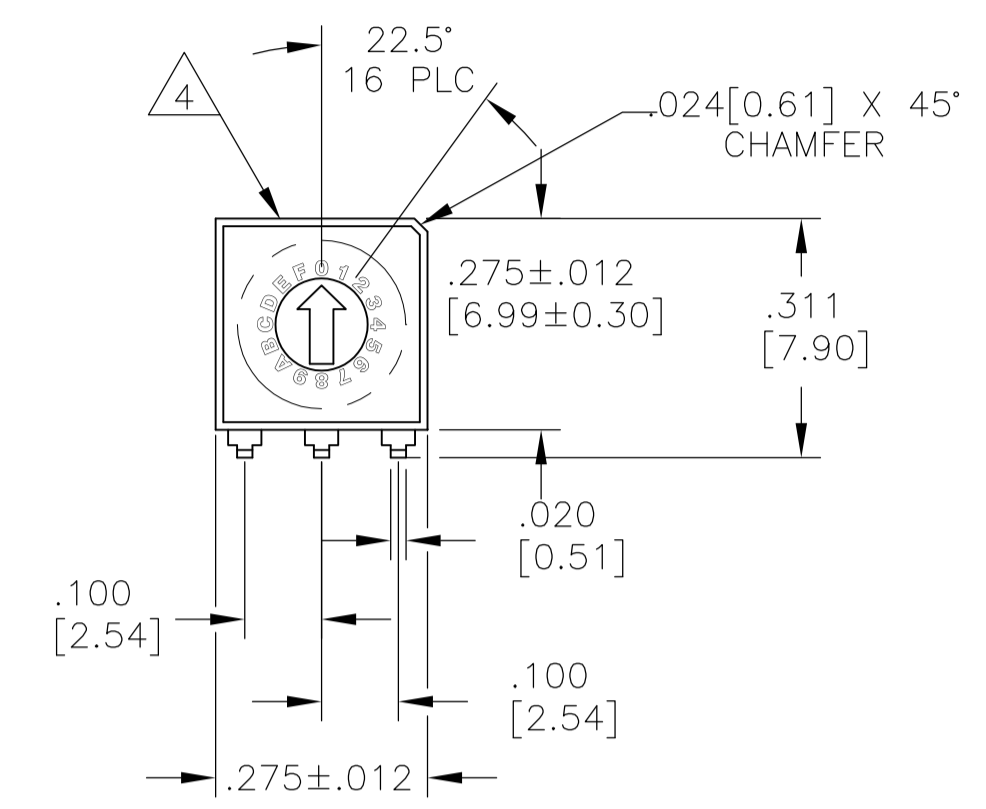
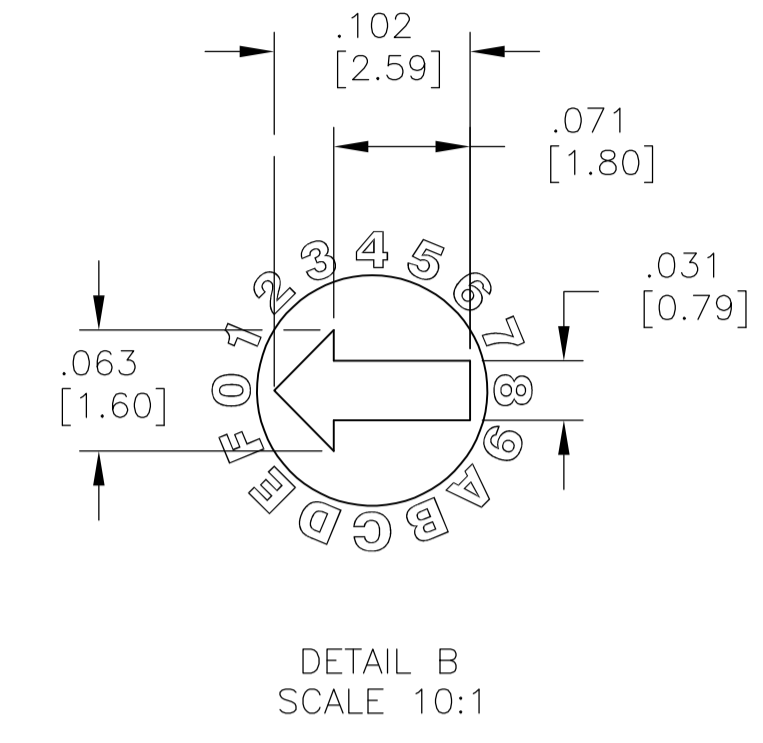
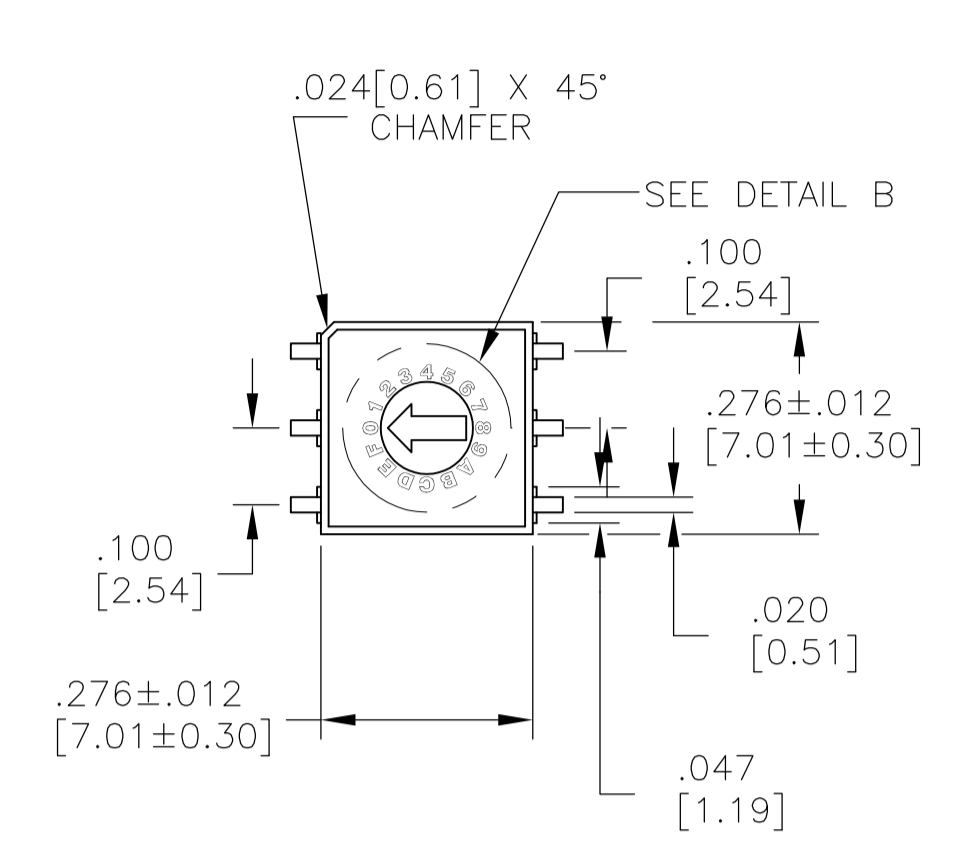
HOW TO ORDER: MRD- [] [] []

CIRCUIT TYPES:
10 = BC DECIMAL
10C = BCD COMPLIMENT
16 = HEXADECIMAL
16C = HEXADECIMAL COMPLIMENT

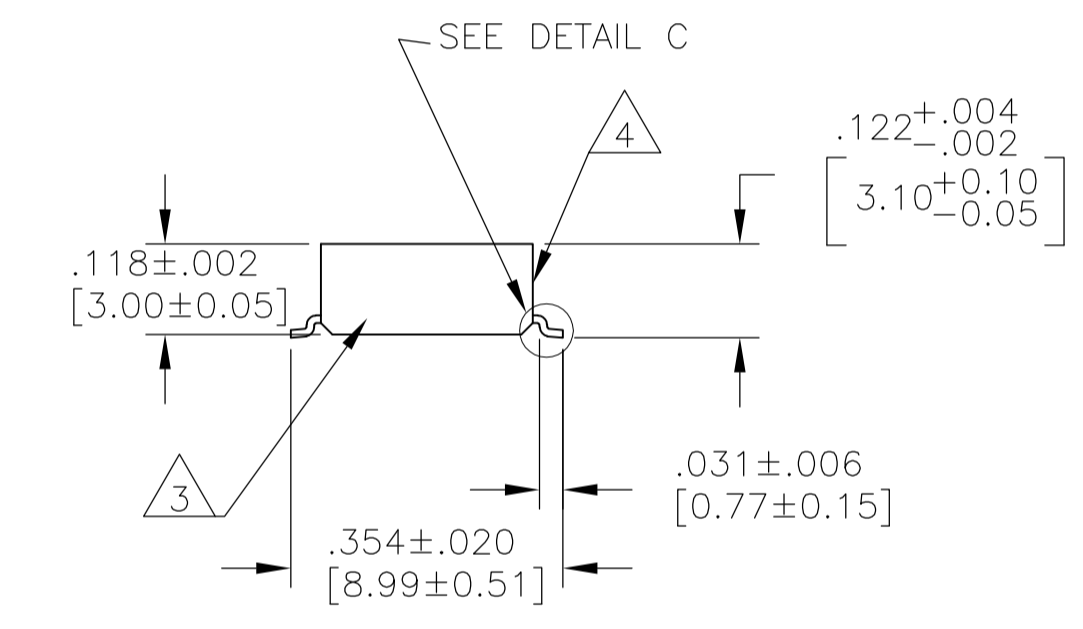
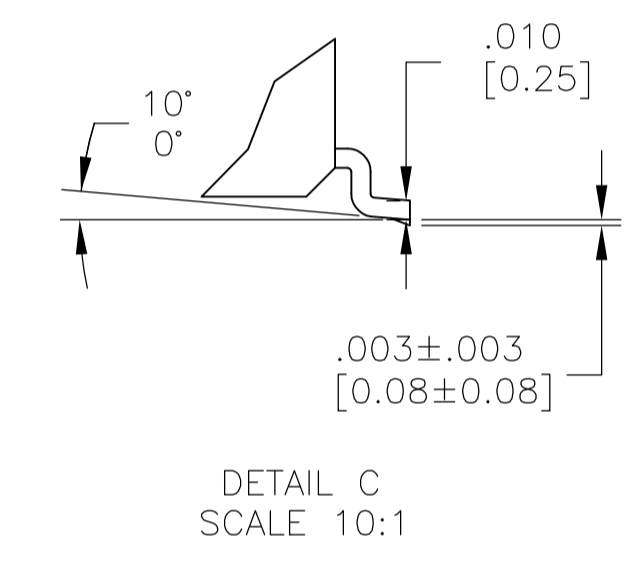
TERMINATIONS:
BLANK = PC
S = OUTSIDE L, SURFACE MOUNT
RA= RIGHT ANGLE

PACKAGING:
TR = TAPE & REEL
(SURFACE MOUNT ONLY SEE SHEET 3)

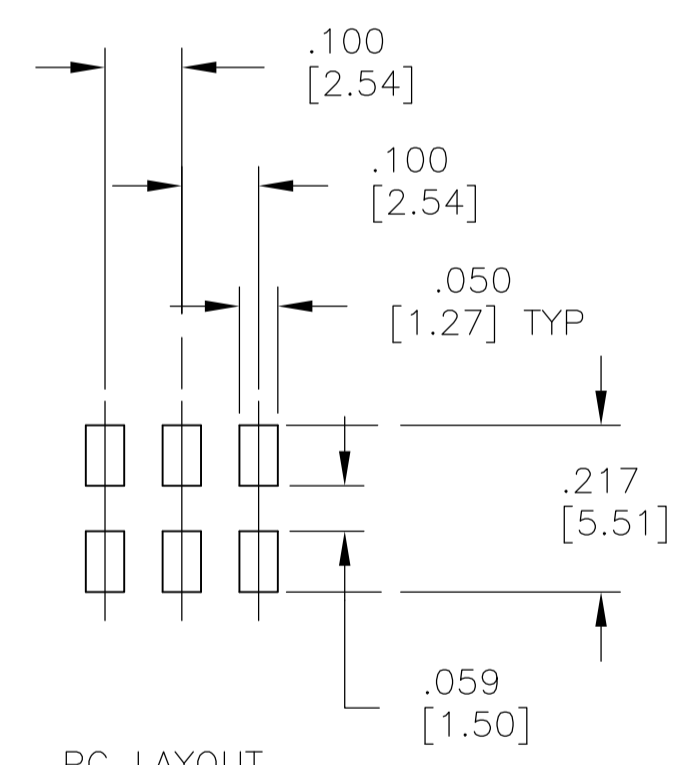
| | | | | |
|--|--|----------------------------------|-----------|---------|
| THIS DRAWING IS A CONTROLLED DOCUMENT. | | DIN | M. BINNER | 25JUL02 |
| DIMENSIONS: INCHES[mm] | | CHK | M. SARVER | 25JUL02 |
| TOLERANCES UNLESS OTHERWISE SPECIFIED: | | APP'D | M. SARVER | 25JUL02 |
| 0 PLC ± - | | NAME | | |
| 1 PLC ± - | | MRD SERIES 7MM ROTARY DIP SWITCH | | |
| 2 PLC ± - | | APPLICATION SPEC | | |
| 3 PLC ± .01(0.25) | | SIZE | | |
| 4 PLC ± ± Z | | CAGE CODE | | |
| ANGLES ± ± Z | | DRAWING NO | | |
| MATERIAL SEE SPECIFICATION | | RESTRICTED TO | | |
| FINISH - | | A1 00779 1825013 | | |
| WEIGHT - | | CUSTOMER DRAWING | | |
| SCALE 4:1 | | SHEET 1 OF 2 | | |
| REV B1 | | | | |



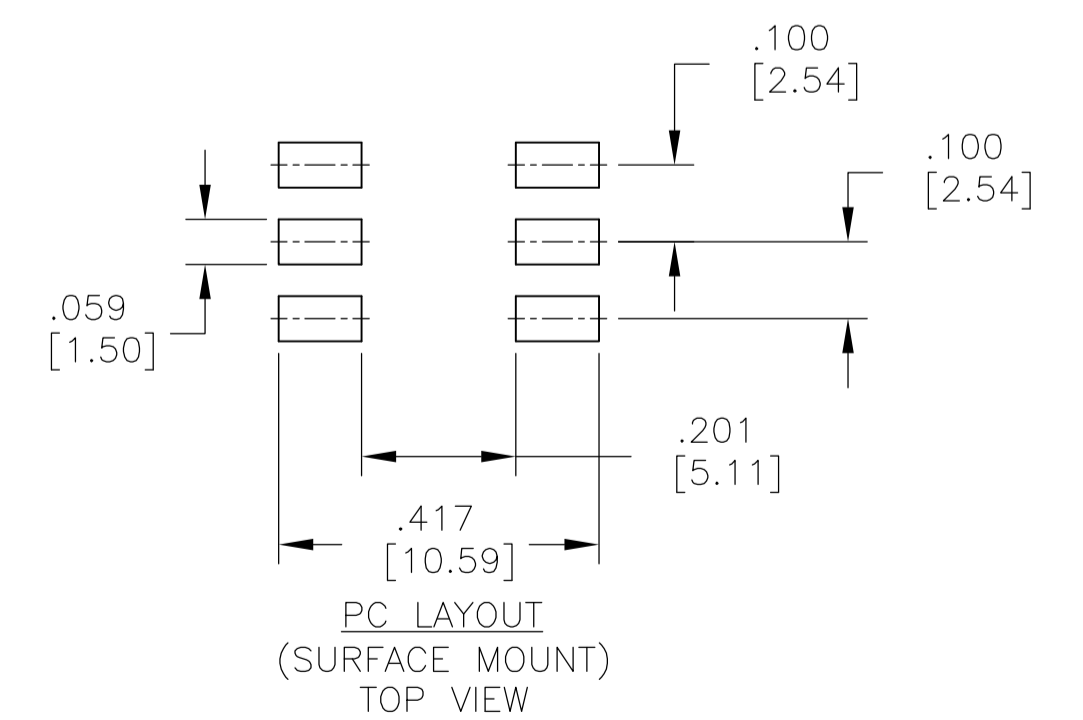
RIGHT ANGLE SURFACE MOUNT



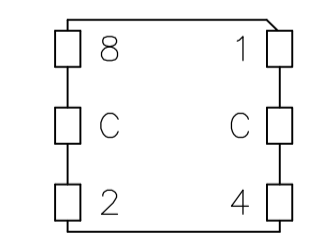
SURFACE MOUNT



PC LAYOUT (RIGHT ANGLE SURFACE MOUNT) TOP VIEW



PC LAYOUT (SURFACE MOUNT) TOP VIEW



TERMINATION IDENTIFICATION VIEWED FROM BOTTOM OF SWITCH

10 POSITION, BCD COMPLEMENT

| POS | 0 | 1 | 2 | 3 | 4 | 5 | 6 | 7 | 8 | 9 |
|-----|---|---|---|---|---|---|---|---|---|---|
| C | X | X | X | X | X | X | X | X | X | X |
| 1 | X | | X | | | | | X | | X |
| 2 | X | X | | | X | X | | | X | X |
| 4 | X | X | X | X | | | | | X | X |
| 8 | X | X | X | X | X | X | X | X | | |

10 POSITION, BCD

| POS | 0 | 1 | 2 | 3 | 4 | 5 | 6 | 7 | 8 | 9 |
|-----|---|---|---|---|---|---|---|---|---|---|
| C | X | X | X | X | X | X | X | X | X | X |
| 1 | | X | | X | | X | | X | | X |
| 2 | | | X | X | | | X | X | | |
| 4 | | | | | X | X | X | X | | |
| 8 | | | | | | | | | X | X |

16 POSITION, HEXADECIMAL

| POS | 0 | 1 | 2 | 3 | 4 | 5 | 6 | 7 | 8 | 9 | A | B | C | D | E | F |
|-----|---|---|---|---|---|---|---|---|---|---|---|---|---|---|---|---|
| C | X | X | X | X | X | X | X | X | X | X | X | X | X | X | X | X |
| 1 | | X | | X | | X | | X | | X | | X | | X | | X |
| 2 | | | X | X | | | X | X | | | X | X | | | X | X |
| 4 | | | | | X | X | X | X | | | | | X | X | X | X |
| 8 | | | | | | | | | X | X | X | X | X | X | X | X |

16 POSITION, HEXADECIMAL COMPLEMENT

| POS | 0 | 1 | 2 | 3 | 4 | 5 | 6 | 7 | 8 | 9 | A | B | C | D | E | F |
|-----|---|---|---|---|---|---|---|---|---|---|---|---|---|---|---|---|
| C | X | X | X | X | X | X | X | X | X | X | X | X | X | X | X | X |
| 1 | X | | X | | X | | X | | X | | X | | X | | X | |
| 2 | X | X | | | X | X | | | X | X | | | X | X | | |
| 4 | X | X | X | X | | | | | X | X | X | X | | | | |
| 8 | X | X | X | X | X | X | X | X | | | | | | | | |

COLOR CODE

| CIRCUIT TYPE | ACTUATOR COLOR |
|--------------|----------------|
| 10 | RED |
| 10C | ORANGE |
| 16 | GREEN |
| 16C | WHITE |

THIS DRAWING IS A CONTROLLED DOCUMENT. DIMENSIONS: INCHES[mm]. TOLERANCES UNLESS OTHERWISE SPECIFIED: 0 PLC ± -, 1 PLC ± -, 2 PLC ± -, 3 PLC ± .010, 4 PLC ± -. ANGLES ± ± °. MATERIAL: SEE SHEET 1. FINISH: -. DWG: M. BINNER, 25JUL02. CHK: M. SARVER, 25JUL02. APP'D: M. SARVER, 25JUL02. NAME: MRD SERIES 7MM ROTARY DIP SWITCH. SIZE: A1. CAGE CODE: 00779. DRAWING NO: 1825013. WEIGHT: -. RESTRICTED TO: -. CUSTOMER DRAWING. SCALE: 4:1. SHEET: 2 OF 2. REV: B1.